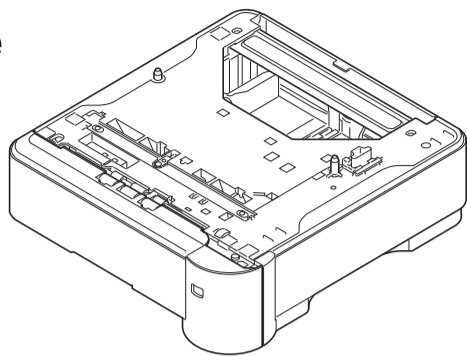


PF-320



Installation Guide
Installationsanleitung
Guide d'installation
Guida all'installazione
Guía de instalación
安装手册
설치안내서
インストールガイド



For U.S.A.:

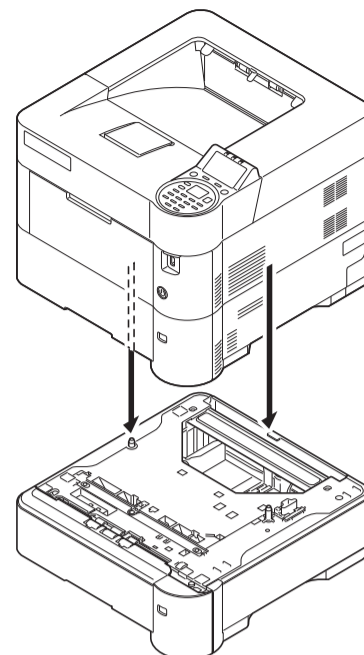
To install the optional paper feeder unit, contact your service representative. This unit is for use only with Laser Printers, Models FS-2100D, FS-2100DN, FS-4100DN, FS-4200DN and FS-4300DN.

For Canada:

This Class B digital apparatus complies with Canadian ICES-003. Cet appareil numérique de la classe B est conforme à la norme NMB-003 du Canada.

Installation of PF-320
Installation von PF-320
Installation de PF-320
Installazione di PF-320
Instalación de PF-320

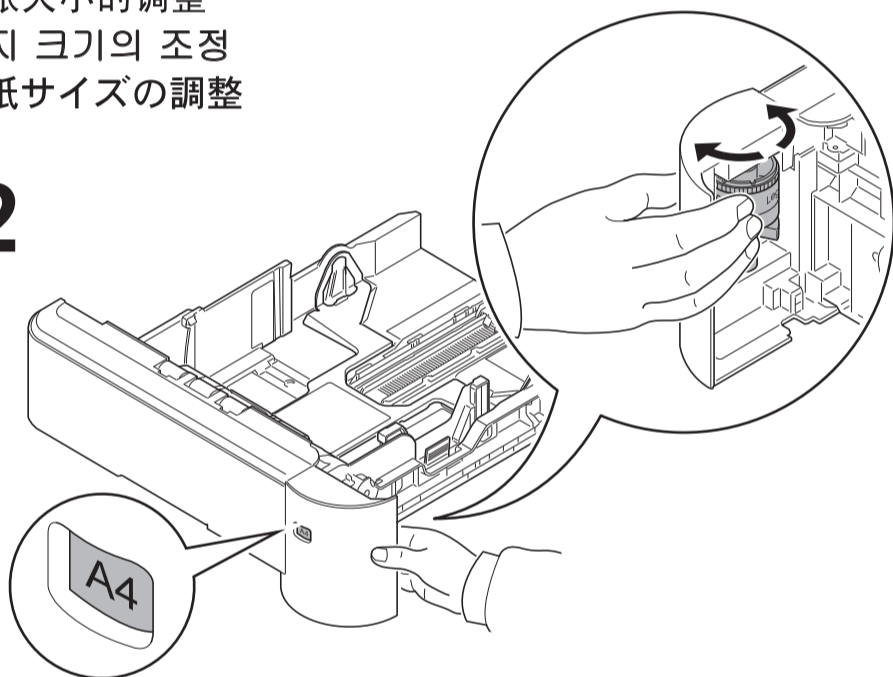
PF-320的安裝
 PF-320 설치
 PF-320の設置



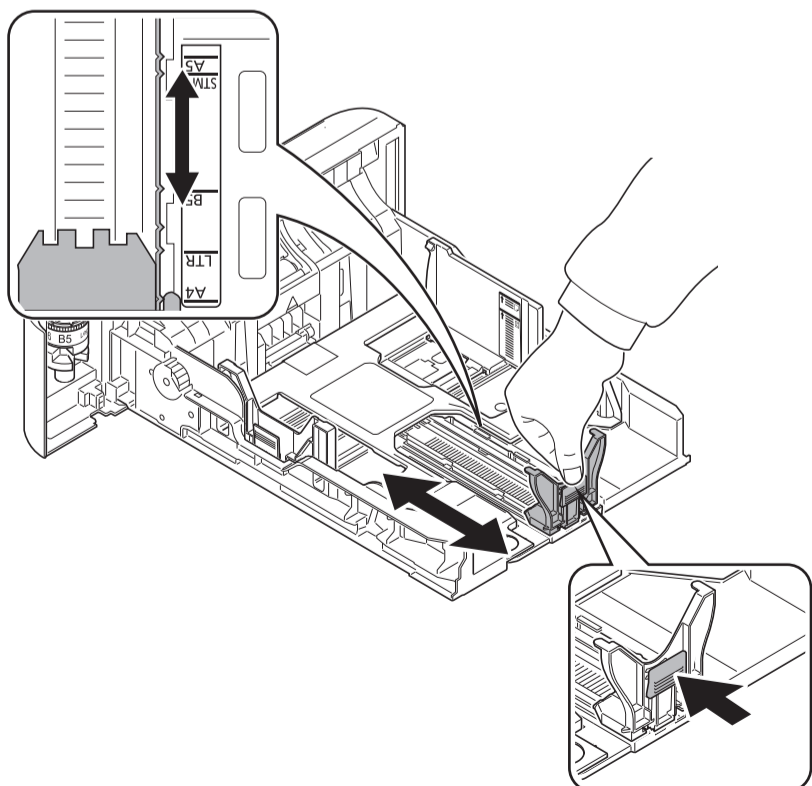
Adjustment of paper size
Justage des Papierformats
Ajustement de format papier
Registrazione del formato carta
Ajuste del tamaño del papel

纸张大小的调整
 용지 크기의 조정
 用紙サイズの調整

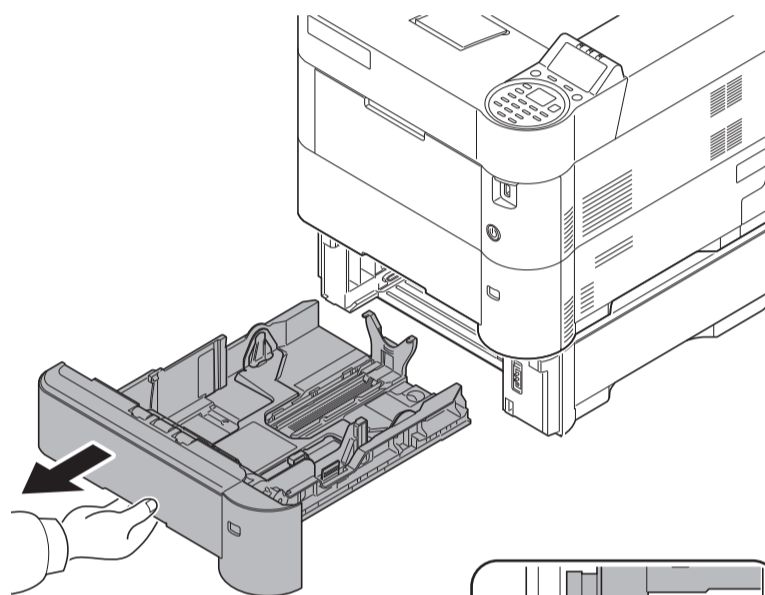
2



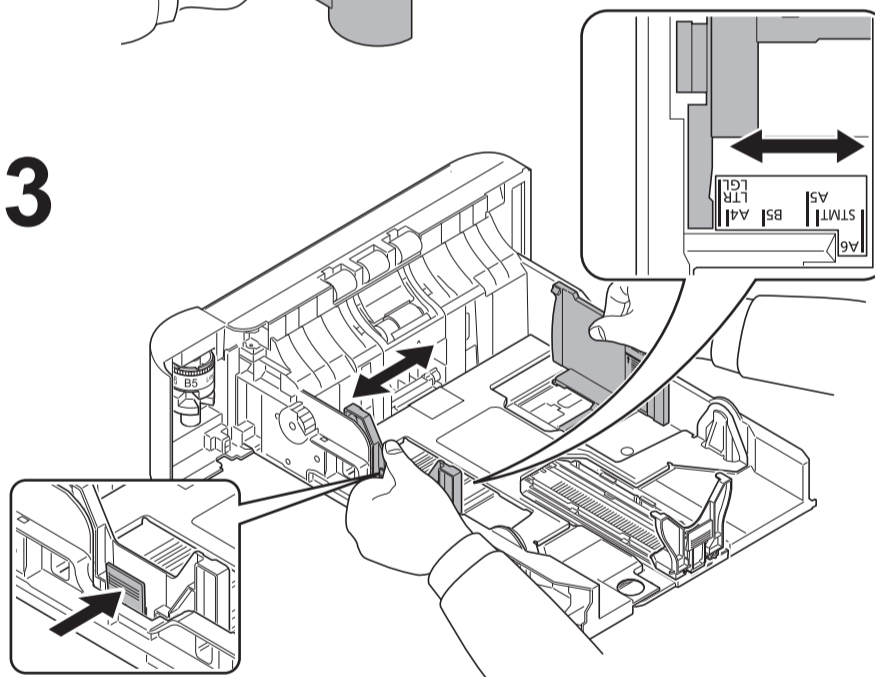
4



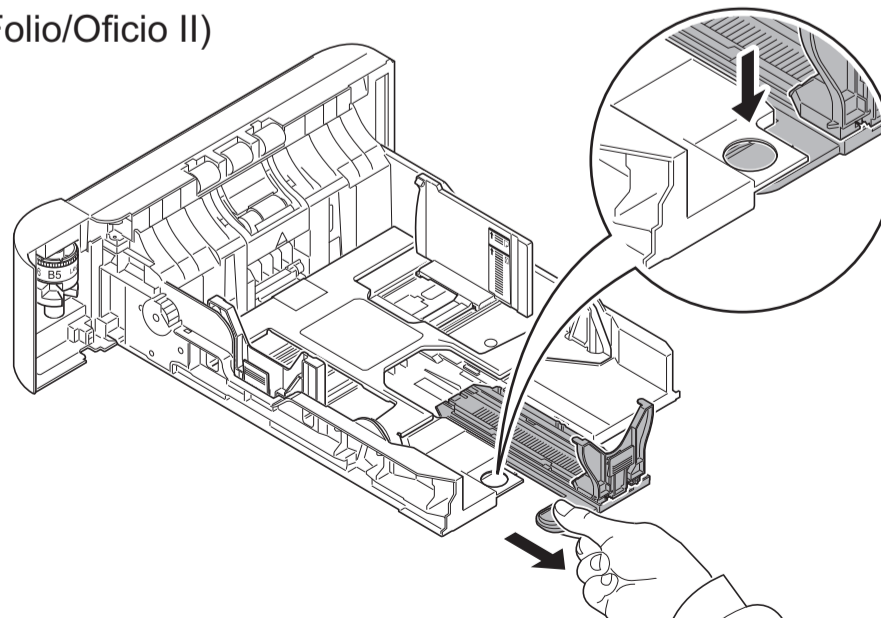
1



3

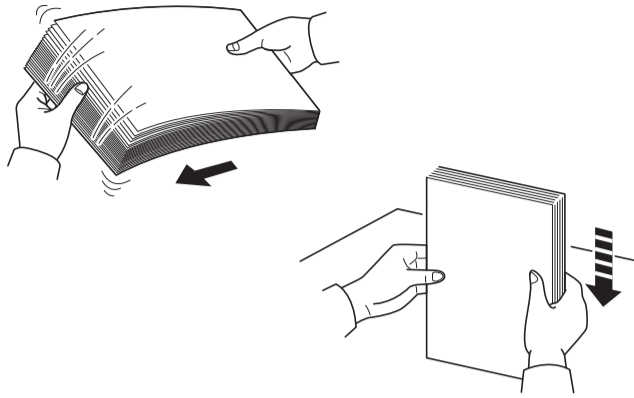


(Legal/Folio/Oficio II)

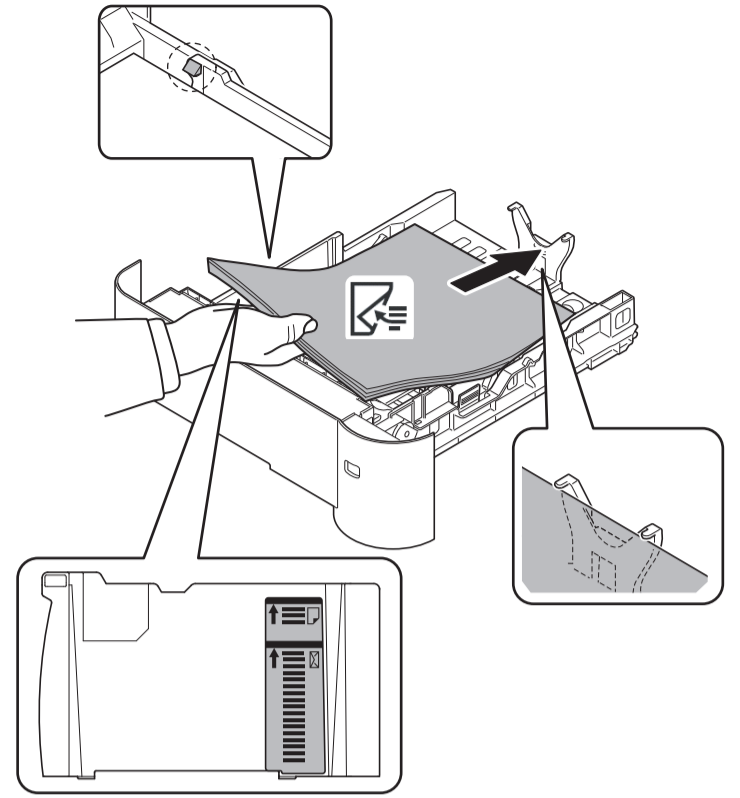


Loading paper
Ladenpapier
Papier de chargement
Carta da caricamento
Papel del cargamento
 装紙
 용지 적재
 用紙のセット

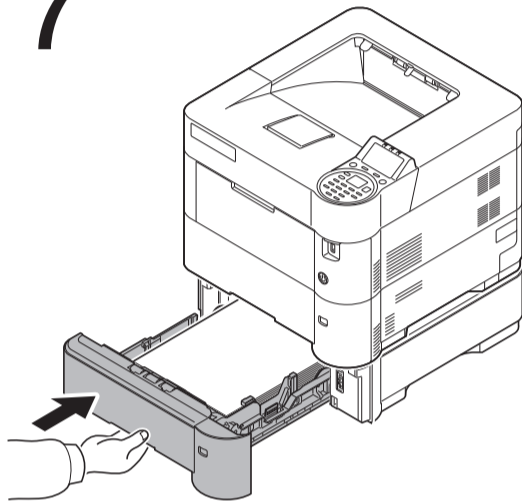
5



6

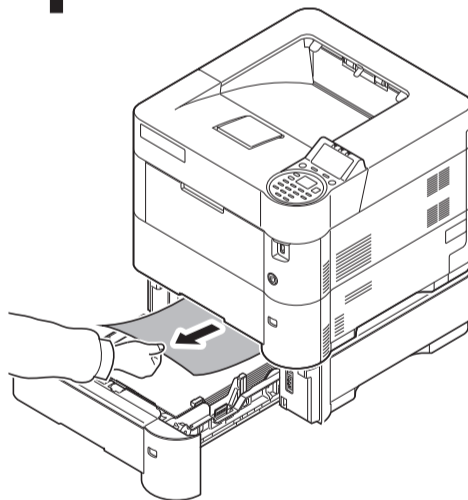


7



Removing Paper Jams
Entfernen von Papierstaus
Solution pour les bourrages papier
Rimozione degli inceppamenti carta
Eliminación de los atascos de papel
 取出卡紙
 종이 잼 제거
 紙づまりの処理

1



2

